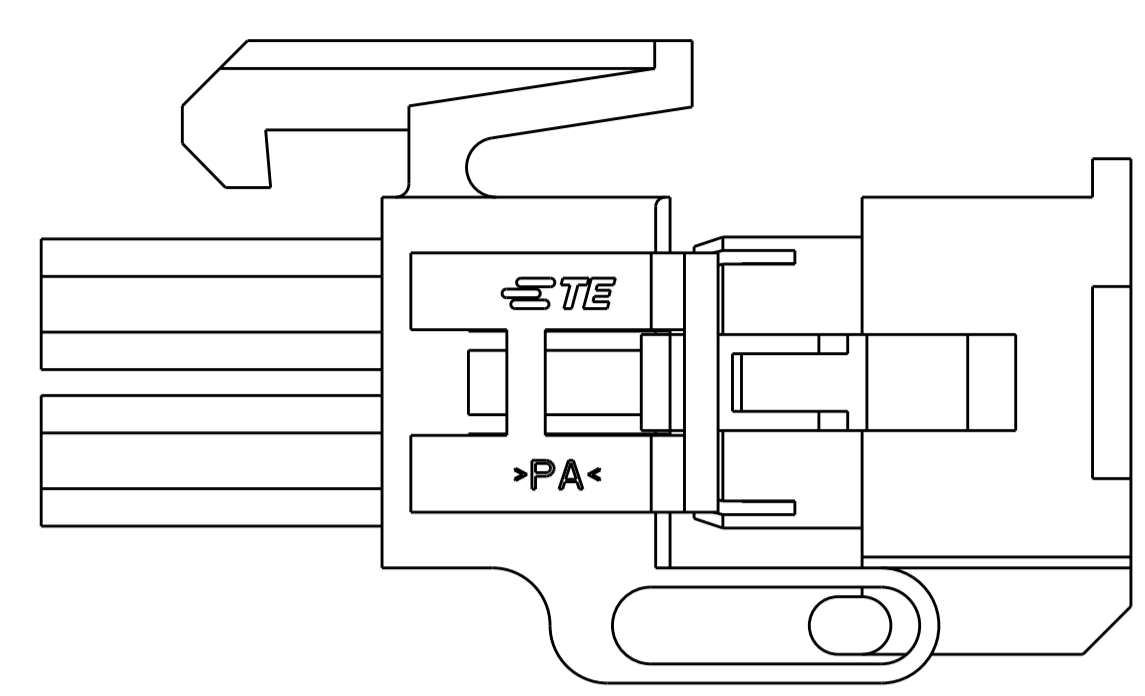
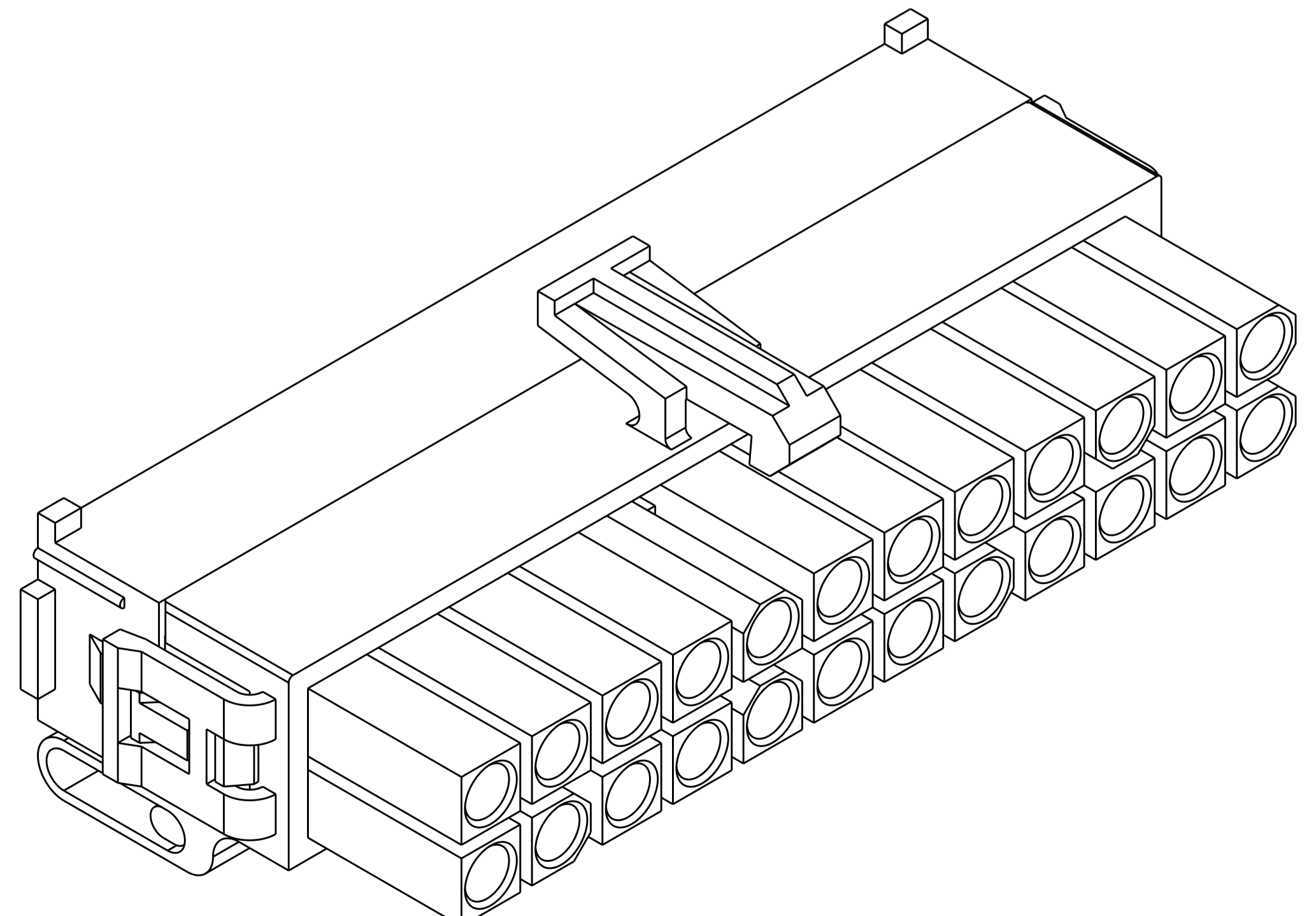
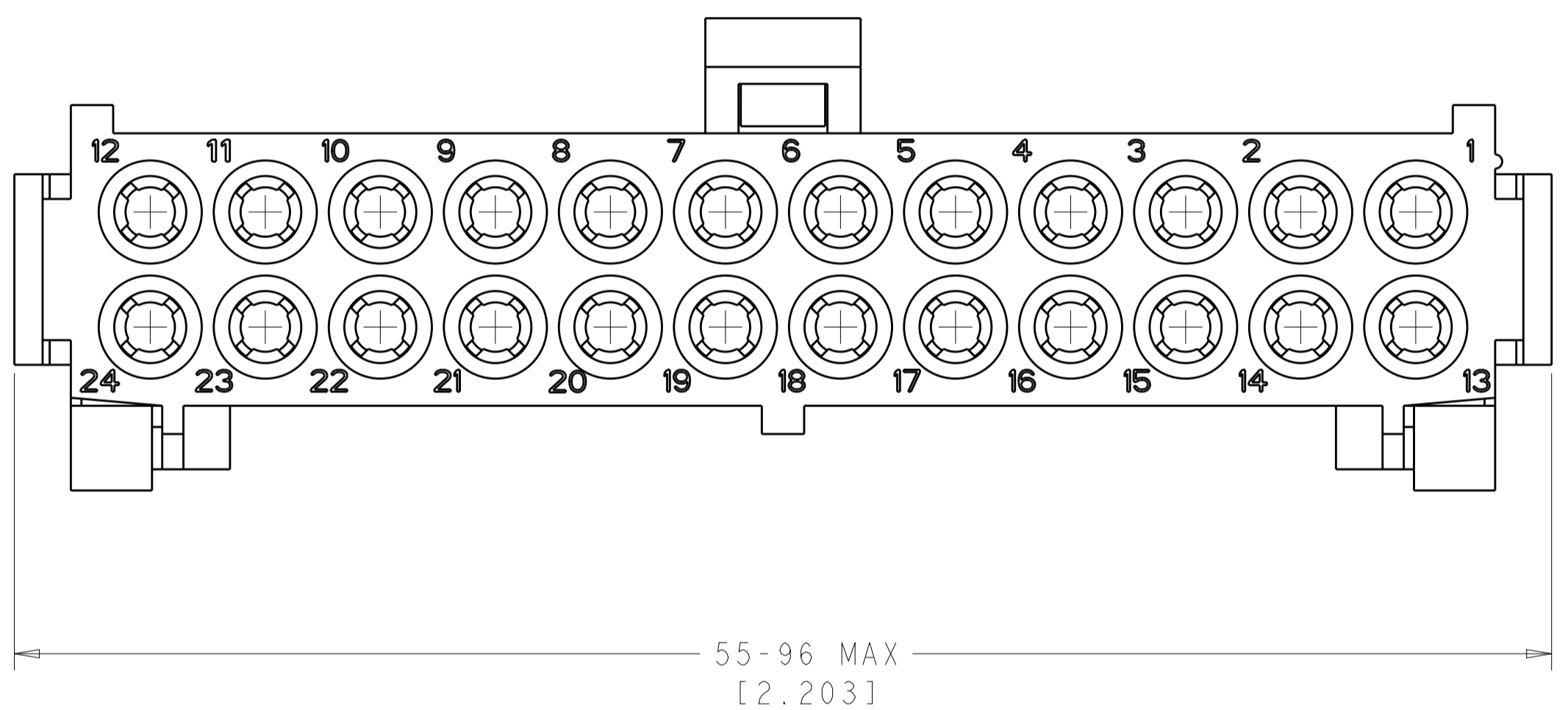
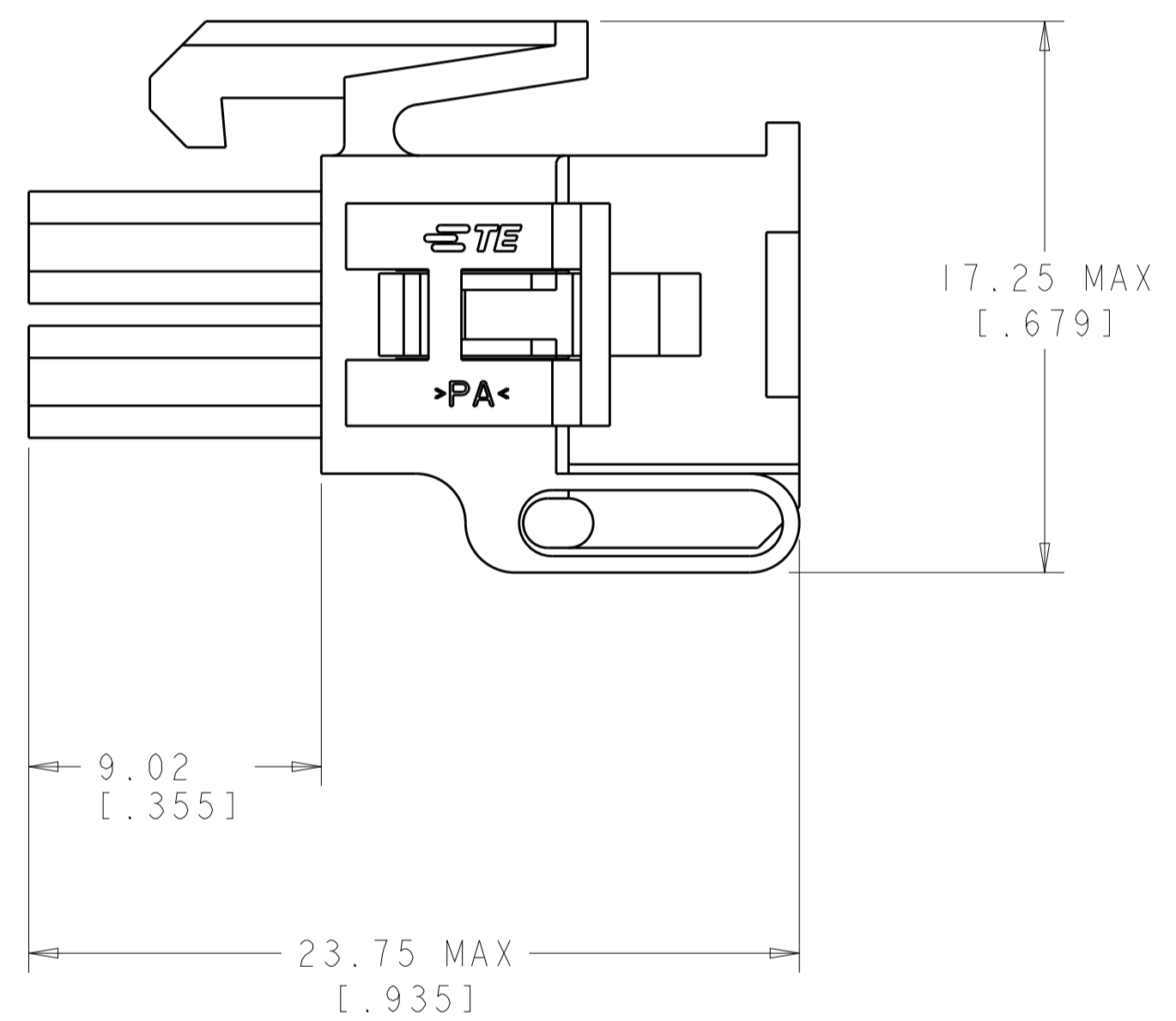
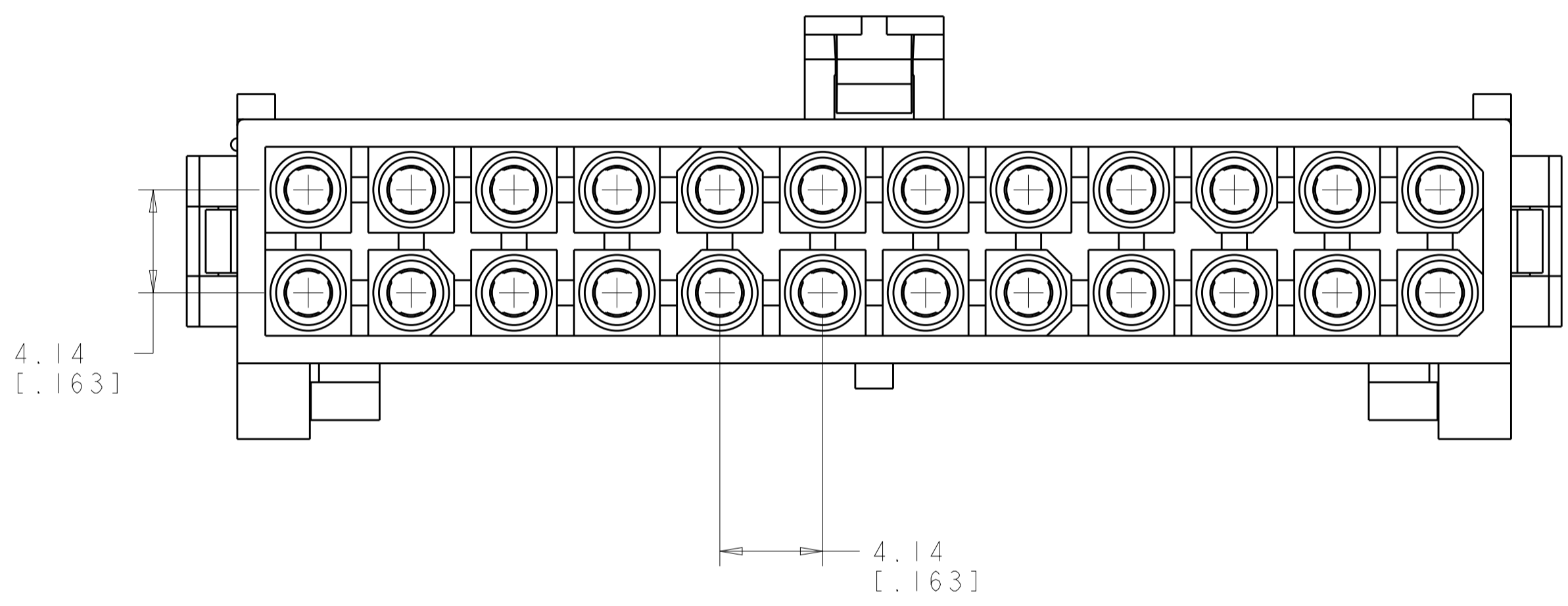


REVISIONS				
P.	LTM	DESCRIPTION	DATE	APVD
C2		REVISED PER ECR-15-003326	09MAR15	SC KD



PRE-STAGED CONDITION



0.386 IN <sup>3</sup>	794214-1
VOLUME	PART NUMBER

THIS DRAWING IS A CONTROLLED DOCUMENT.		DWN: K. WHITAKER 01AUG2007	TE Connectivity
DIMENSIONS: mm [INCHES]		CHK: C. JONES 01AUG2007	
TOLERANCES UNLESS OTHERWISE SPECIFIED:		APVD: C. JONES 01AUG2007	
0 PLC ± 1 PLC ± 2 PLC ±0.13 (.005) 3 PLC ± 4 PLC ± ANGLES ±40°/30°		NAME: PLUG, DUAL ROW, 24 CIRCUIT, MINI UNIVERSAL MATE-N-LOK(TM) 2	
MATERIAL: NYLON, UL 94V-0, NATURAL	FINISH: -	WEIGHT: -	RESTRICTED TO: -
CUSTOMER DRAWING		SIZE: A1	SCALE: 5:1
		CAGE CODE: 794214	SHEET 1 OF 1
		REV: C2	

